

FRESH CUP

AUTO EJECT K-CUP™/CAPSULE SYSTEM

FREEDOM OF CHOICE

Choose from up to five programmable taste profiles (mild, medium or bold) or volume settings (small, medium large) Fresh Cup's new universal platform provides the flexibility to exchange brew mechanisms to brew PODS, K-Cup™, similar capsules and Solabeve capsules. Fresh Cup gives you the freedom to choose the right brewing medium for you and your client's business.

PERFECTLY BREWED COFFEE

Enjoy the benefits of Fresh Cup's unmatched brewing capability. Easily develop your brewing parameters for your K-Cup™/capsule size through simple programming process of Pre-infusion, pulse brewing, volume and contact time. Fresh Cup's brew mechanism is designed for easy K-Cup™/capsule insertion and automatic disposal immediately after the brew.

BUILT TO LAST

Fresh Cup was designed with the roaster/operator in mind. High quality, rugged construction that can withstand the rigors of everyday use. New modern design and appearance provides a professional look which blends well in any customer location creating the "wow" effect, increasing account placement.

OPERATOR CONVENIENCE

Built in features that add value to your operation and the customer experience:

- Accepts standard travel mugs
- One touch brew activation
- Back to back brew cycles without reheat delays
- Easy to access spent capsule and drip tray with automatic counter reset
- Quiet ejection of K-Cup™/capsules
- Hot water dispense button for allied products
- Super quiet brewing

SERVICEABILITY

Quickly and easily remove the brewing mechanism and heating system from the cabinet for service and repair. In addition, Fresh Cup provides:

- Error codes for "heads up" serviceability
- Replaceable independent Newco parts
- Removable side panels for serviceability

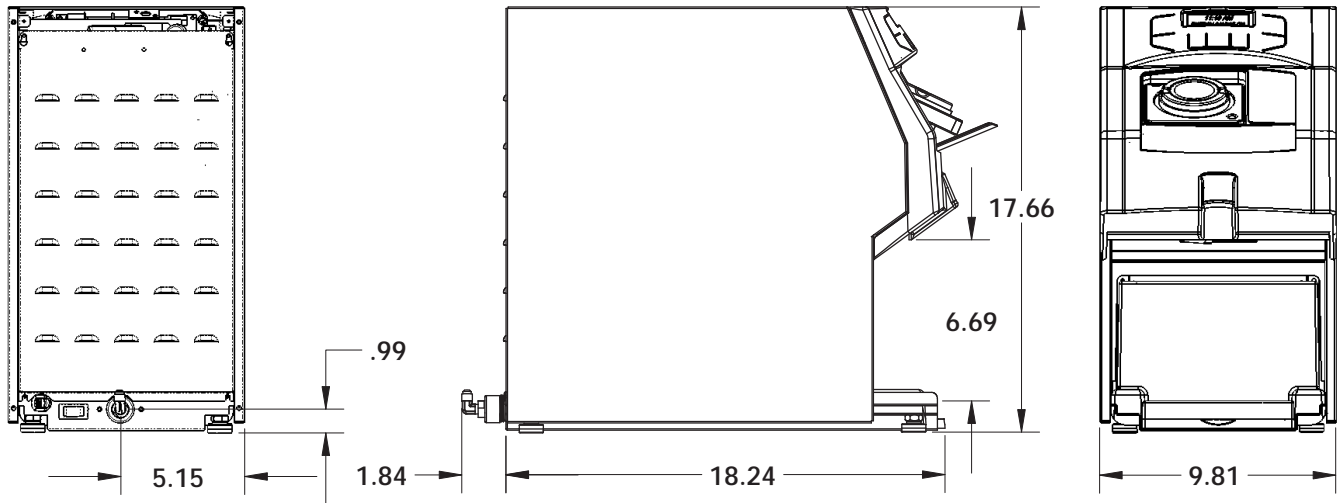


*NSF Model Available



Proudly made in the USA

FRESH CUP AUTO EJECT K-CUP™/CAPSULE SYSTEM



CLOSE UP OF BREW MECH



PLUG AND PLAY OPERATION

Simply connect the Fresh Cup to a water and electrical line and the initial setup routine will fill the tank and then safely turn on the heater.

ENERGY SMART

Choose from three different power modes to conserve energy during periods of non use: power on, power save and power down.

CUSTOM BRANDING

Fresh Cup's entire front can be custom branded with your image helping you to promote your brand and services.

MODEL	TYPE	Part #	WIDTH	DEPTH	HEIGHT	VOLTS	WATTS	AMPS	WEIGHT
FKP-3	K-CUP™/CAPSULE	780646	9.81"	18.24"	17.66"	120 VOLT	1700W	14.2A	33 LBS
				Canadian Electrical	120 VOLT	1400W	11.6		
FKP-3-S	UNIVERSAL	780770	9.81"	18.24"	17.66"	120 VOLT	1700W	14.2A	33 LBS
				Canadian Electrical	120 VOLT	1400W	11.6		