

FRESH CUP TOUCH

AUTO EJECT SINGLE SERVE POD BREWING SYSTEM



FREEDOM OF CHOICE

Use our interactive touch screen with your POD to deliver one “Fresh Cup” of Coffee, Espresso, or Tea. Bring a glass of ice and brew directly into it for your iced coffee.

PERFECTLY BREWED COFFEE

Enjoy the benefits of Fresh Cup’s unmatched brewing capability. Easily develop your brewing parameters for your POD through the simple programming process of pre-infusion, pulse brewing, volume and contact time. Newco’s flow meter provides precise volume accuracy cup after cup. Fresh Cup’s new innovative mechanism accommodates the widest selection of PODS and makes brewing simple and intuitive.

BUILT TO LAST

Fresh Cup was designed with the roaster/operator in mind. High quality, rugged construction that can withstand the rigors of everyday use. New modern design and appearance provides a professional look which blends well in any customer location increasing account placement.

OPERATOR CONVENIENCE

Built in features that add value to your operation and the customer experience:

- Accepts standard travel mugs.
- One touch brew activation.
- Back to back brew cycles without reheat delays.
- Easy access spent waste and drip tray with automatic counter reset.
- Quiet ejection of PODs.
- Hot water dispense button for allied products.
- Quiet brewing operation.

SERVICEABILITY

- Quickly and easily remove the brewing mechanism and heating system from the cabinet for service and repair.

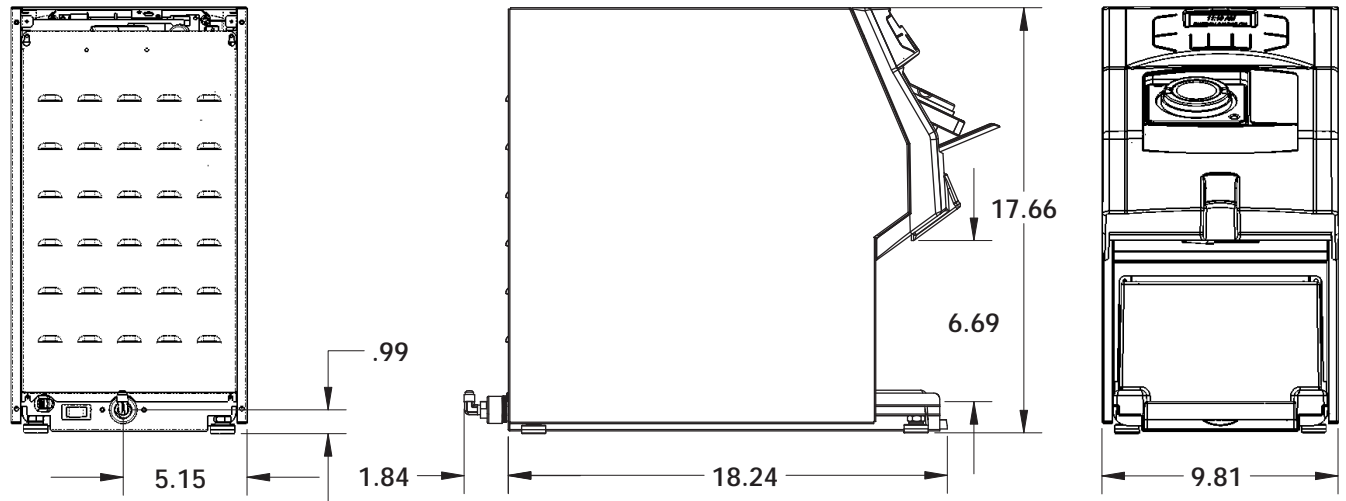
In addition, Fresh Cup provides:

- Error codes for “heads up” serviceability
- Replaceable independent Newco parts
- Removable side panels for serviceability.



FRESH CUP TOUCH

AUTO EJECT POD BREWING SYSTEM



PLUG AND PLAY OPERATION

Simply connect the Fresh Cup to a water and electrical line and the initial setup routine will fill the tank and then safely turn on the heater.

ENERGY SMART

Choose from three different power modes to conserve energy during periods of non use: power on, power save and power down.

CUSTOM BRANDING

Grab that attention! Custom brand your Fresh Cup front with your logo helping you to promote your brand and services.

MODEL	TYPE	Part #	WIDTH	DEPTH	HEIGHT	VOLTS	WATTS	AMPS	WEIGHT
FKP-4Touch	UNIVERSAL POD	782150	9.81"	18.24"	17.66"	120 VOLT	1700W	14.2A	33 LBS
						Canadian Electrical 120 VOLT	1400W	11.6	