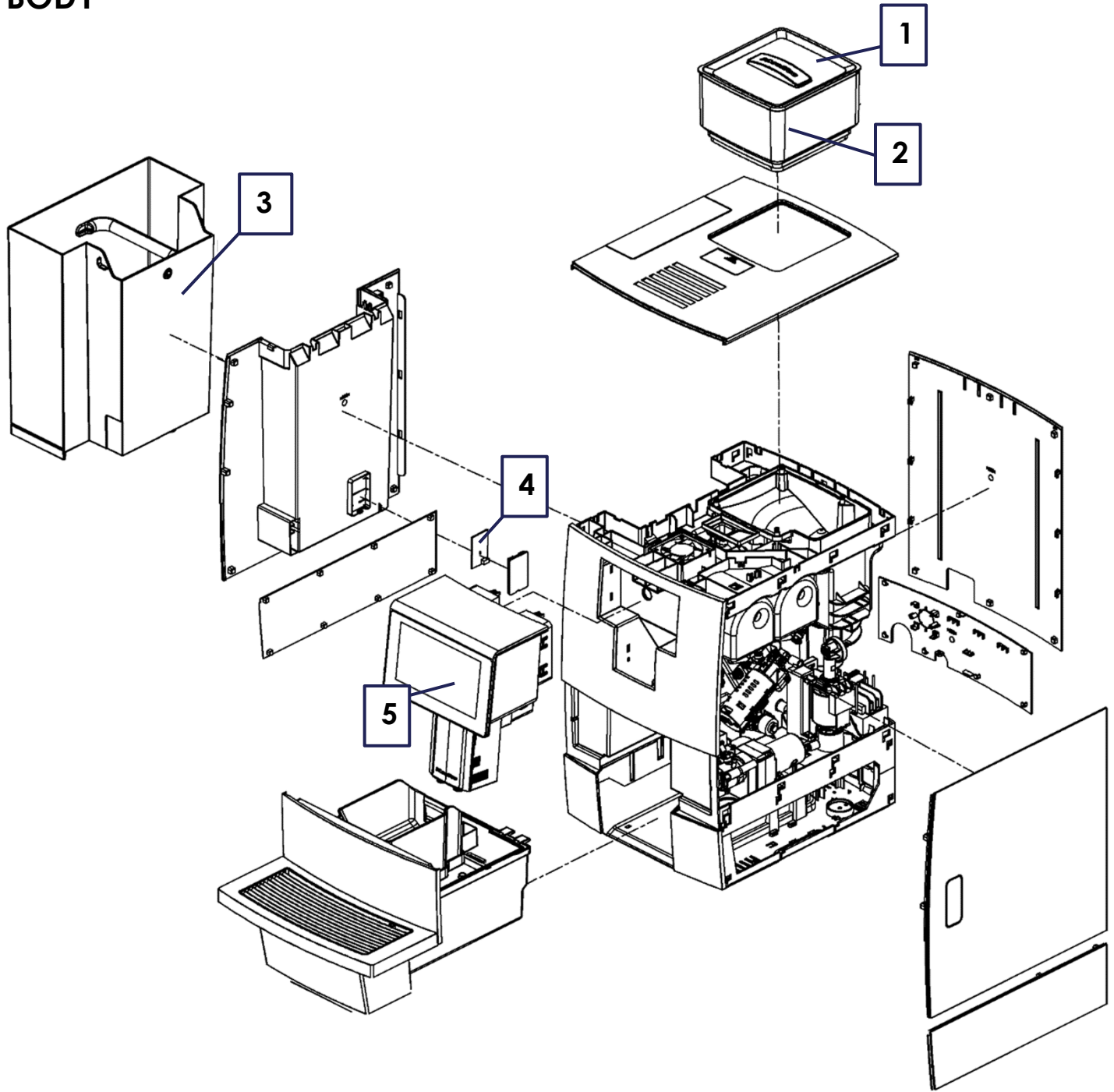


CAFÉ ESPRESSO 2.0 PARTS LIST

NEWCO ENTERPRISES INC,
3650 NEW TOWN BLVD SAINT CHARLES, MO 63301
1-800-325-7867

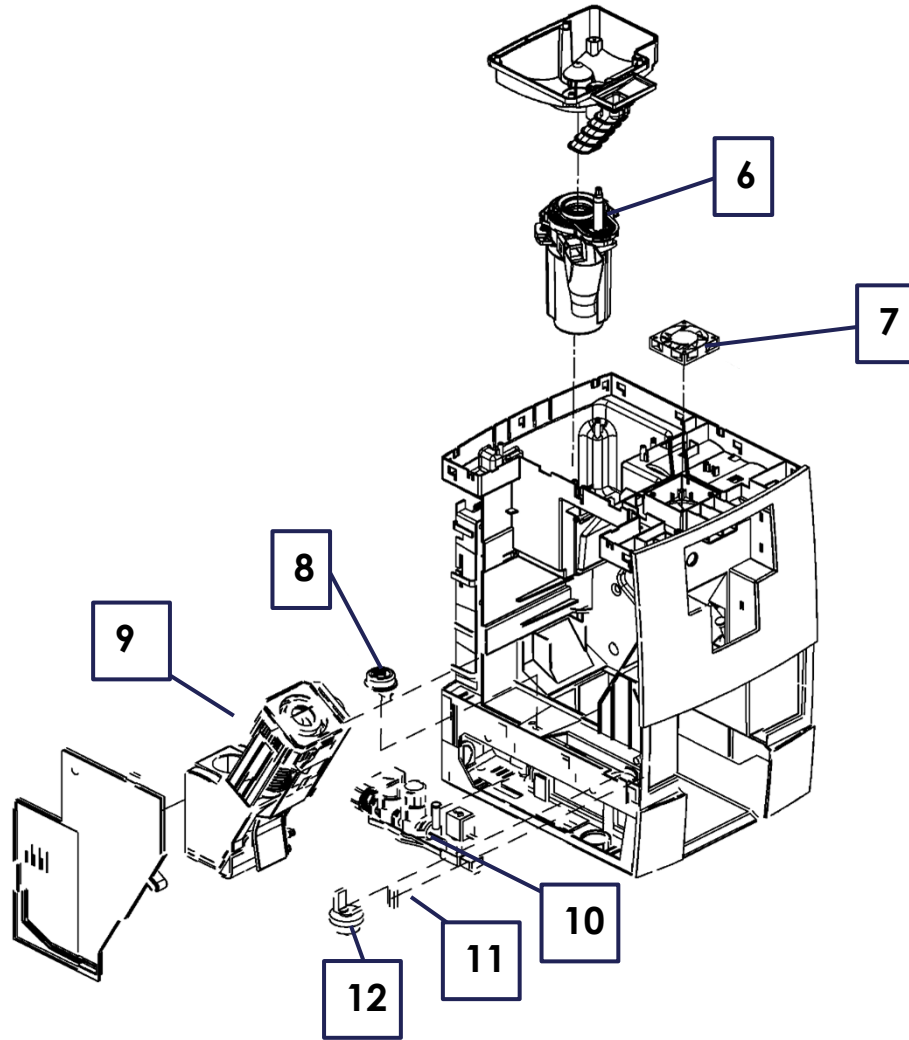


BODY



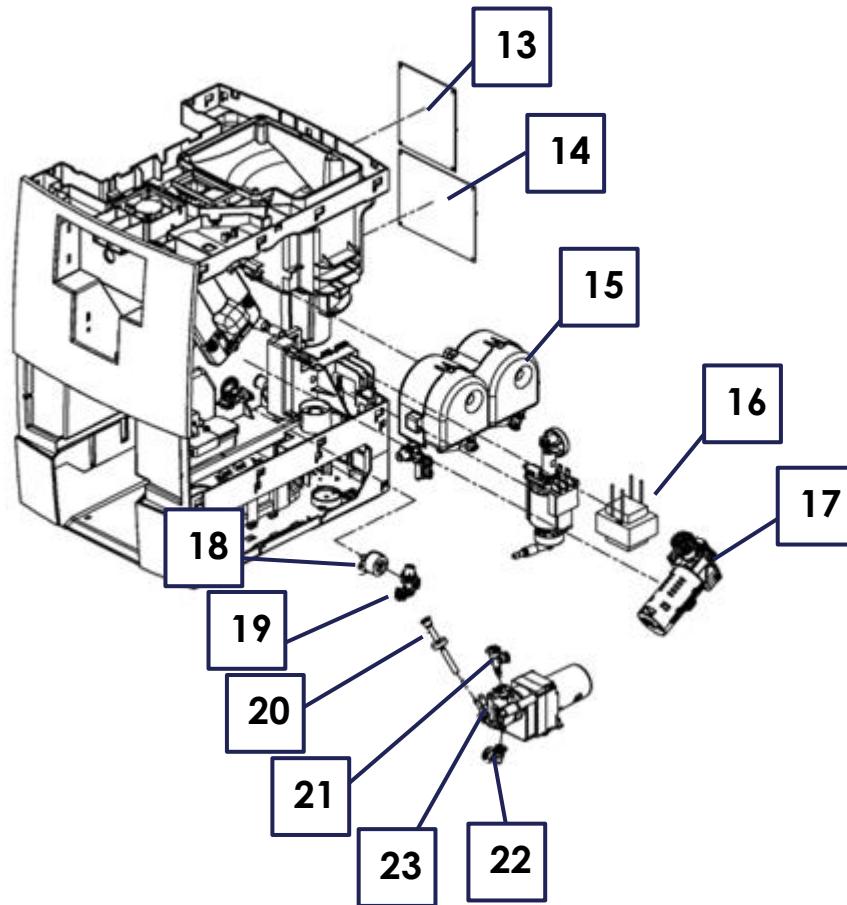
1	153348	COFFEE BEAN HOPPER COVER	1 EA
2	153347	COFFEE BEAN HOPPER	1 EA
3	153391	WATER TANK	1 EA
4	152885	WATER LEVEL DETECTION	1 EA
5	152895	FRONT PANEL	1 EA

MAJOR COMPONENTS- LEFT SIDE

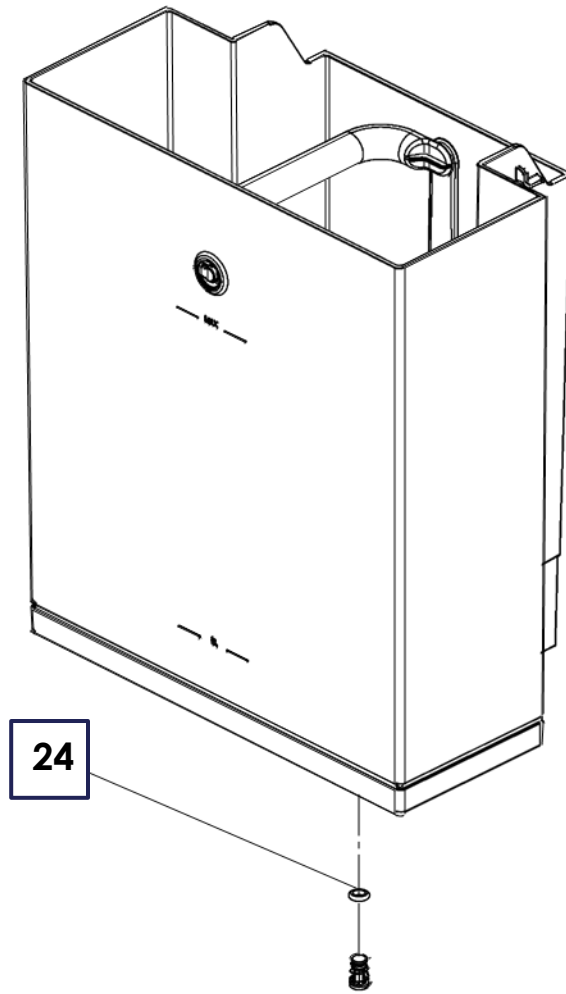


6	152891	BEAN GRINDER GROUP	1 EA
7	153344	FAN	1 EA
8	153346	INLET VALVE	1 EA
9	152893	BREW GROUP	1 EA
10	153354	WATER INLET GROUP	1 EA
11	153351	REED SWITCH	1 EA
12	153350	FLOW METER	1 EA

MAJOR COMPONENTS- RIGHT SIDE

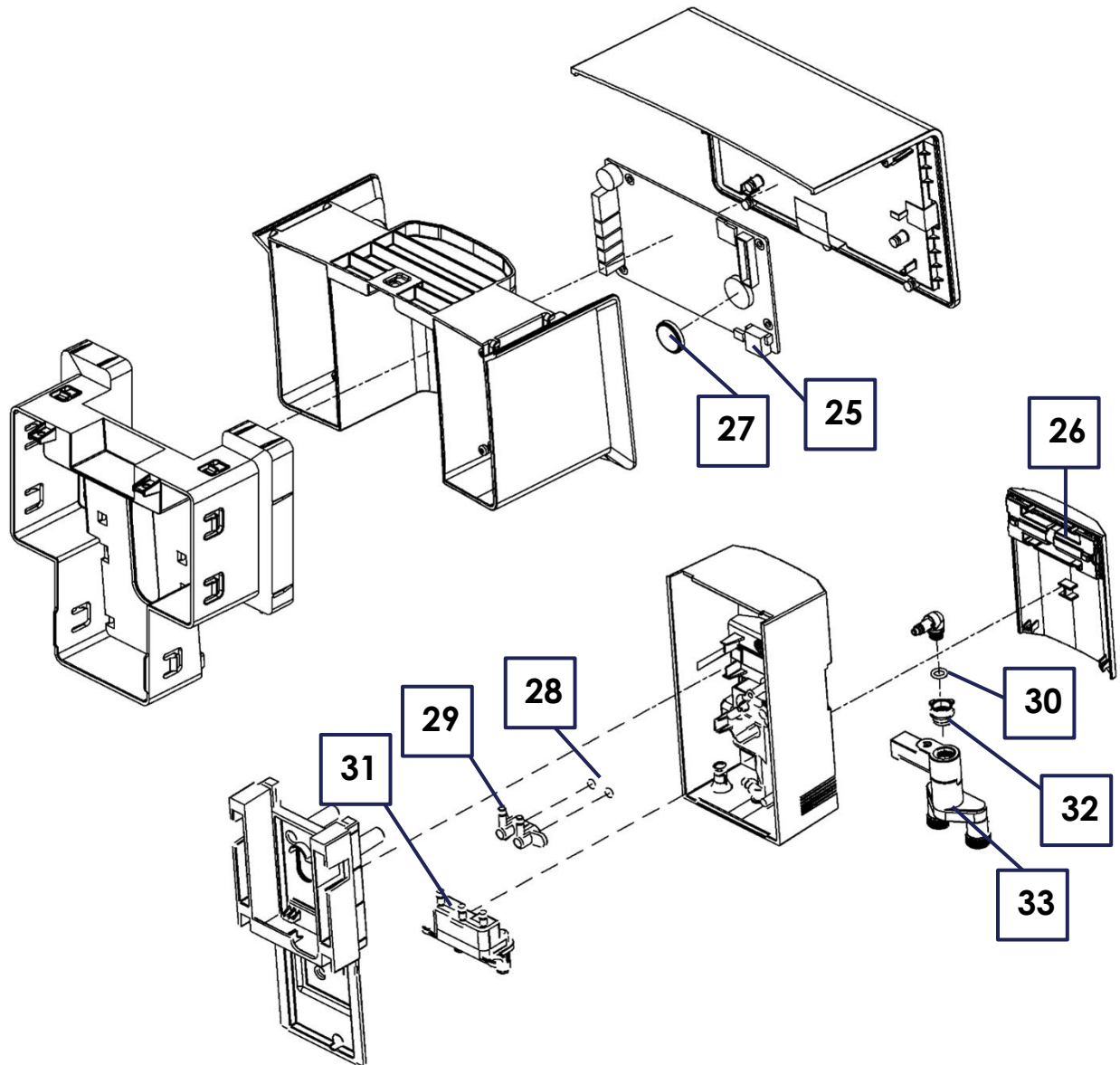


13	152883	CONTROL BOARD	1 EA
14	152882	POWER BOARD	1 EA
15	152894	THERMOBLOCK ASSEMBLY	1 EA
16	153352	TRANSFORMER	1 EA
17	152889	BREW MOTOR GROUP	1 EA
18	153353	STEP MOTOR	1 EA
19	152892	DISPENSE VALVE 3 WAY	1 EA
20	153341	AIR INLET VALVE ASSEMBLY	1 EA
21	153340	3-WAY CONNECTOR	1 EA
22	152339	SWITCH VALVE CONNECTOR	1 EA
23	152890	SWITCH VALVE ASSEMBLY	1 EA



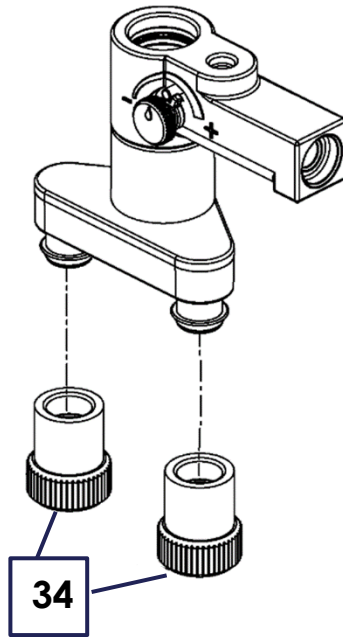
24	153357	O-RING	1 EA
----	--------	--------	------

FRONT OF THE MACHINE



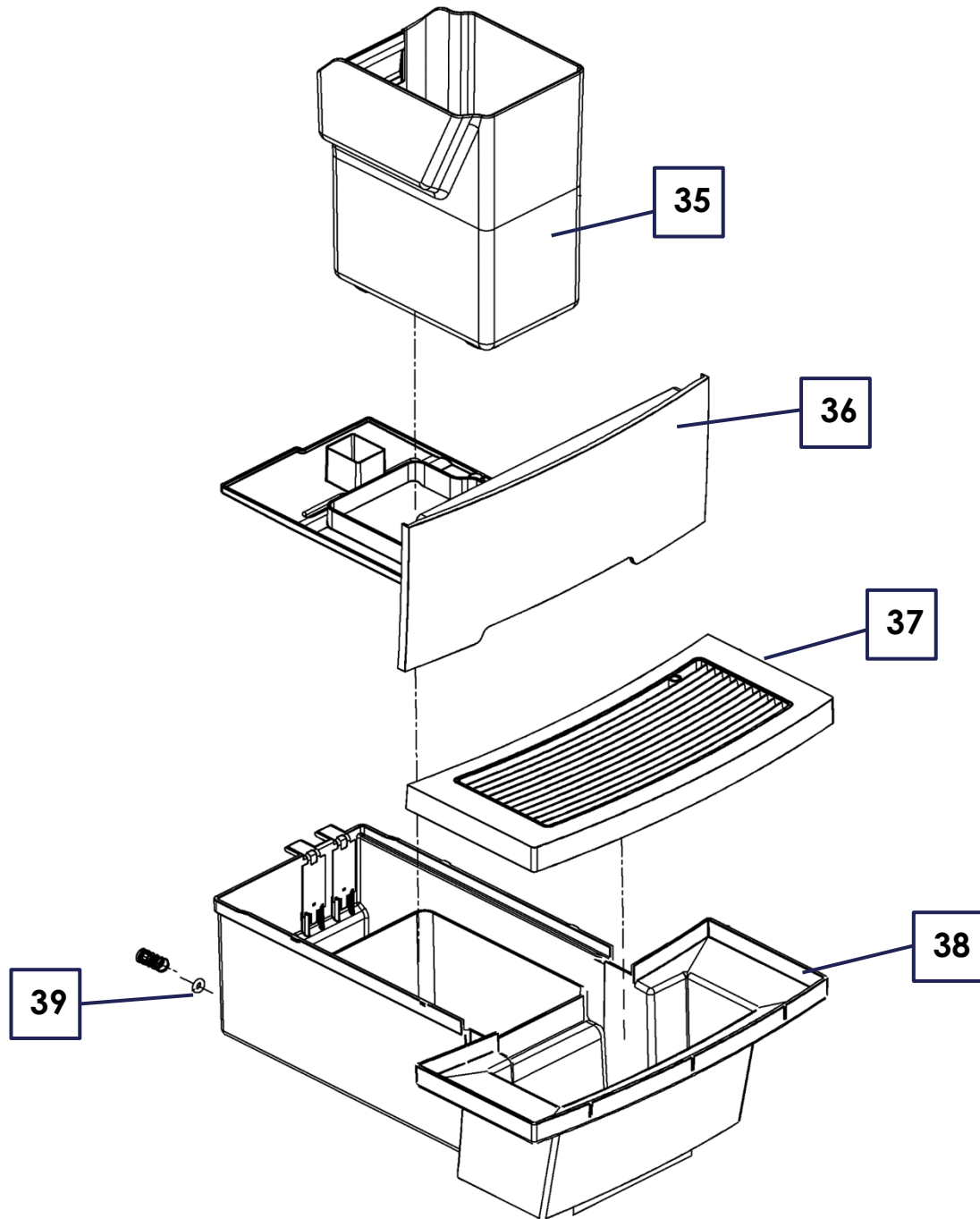
25	152884	HMI BOARD	1 EA
26	153362	COFFEE OUTLET COVER	1 EA
27	153361	BATTERY	1 EA
28	153363	O-RING	1 EA
29	153359	STEAMER FITTING	1 EA
30	153360	O-RING	1 EA
31	153358	COFFEE OUTLET	1 EA
32	153364	MILK BUBBLE NOZZLE	1 EA
33	152888	FOAMER	1 EA

MILK NOZZLE



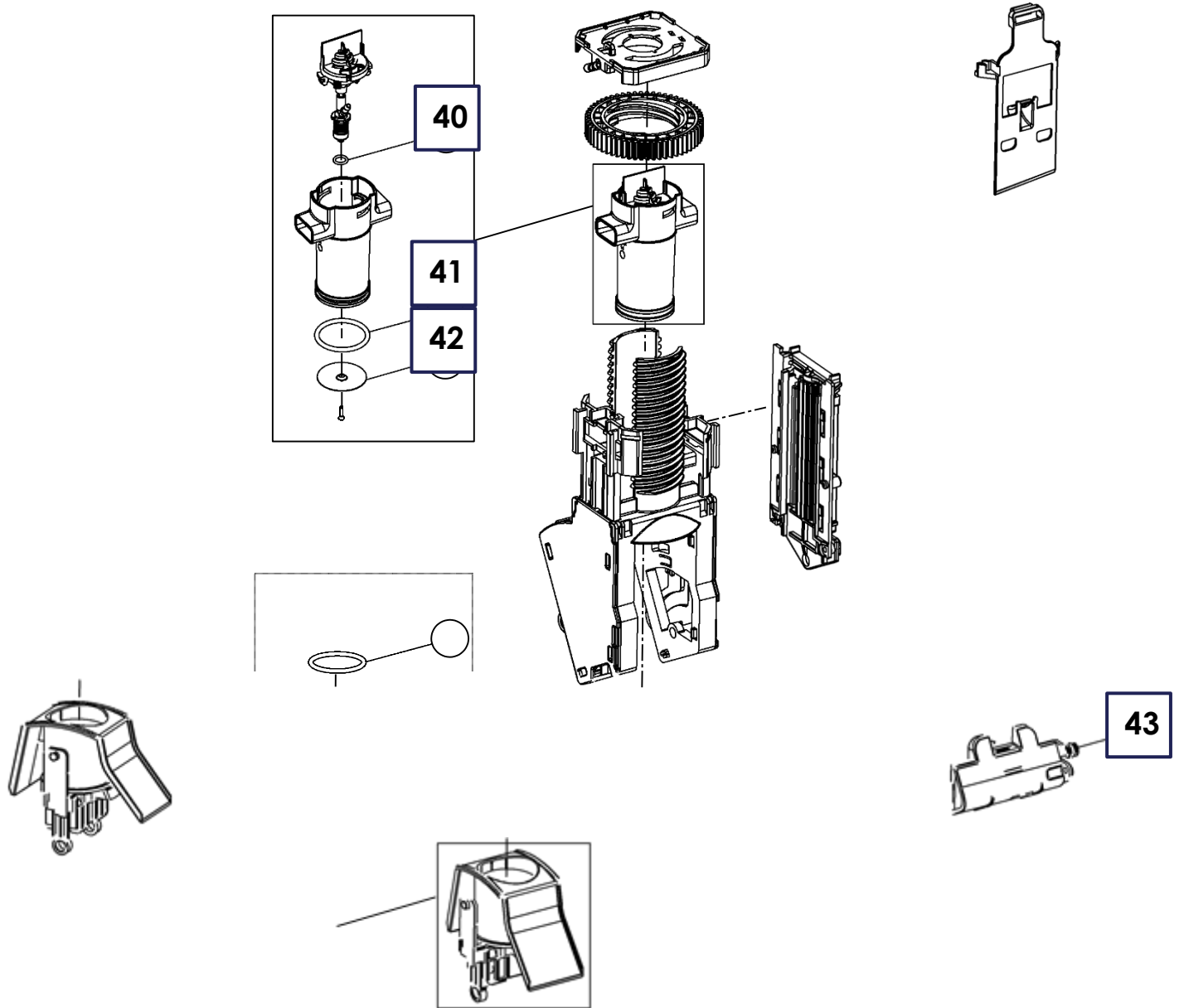
34	153336	FOAM APPLICATOR	1 EA

WASTE BIN AND DRIP TRAY

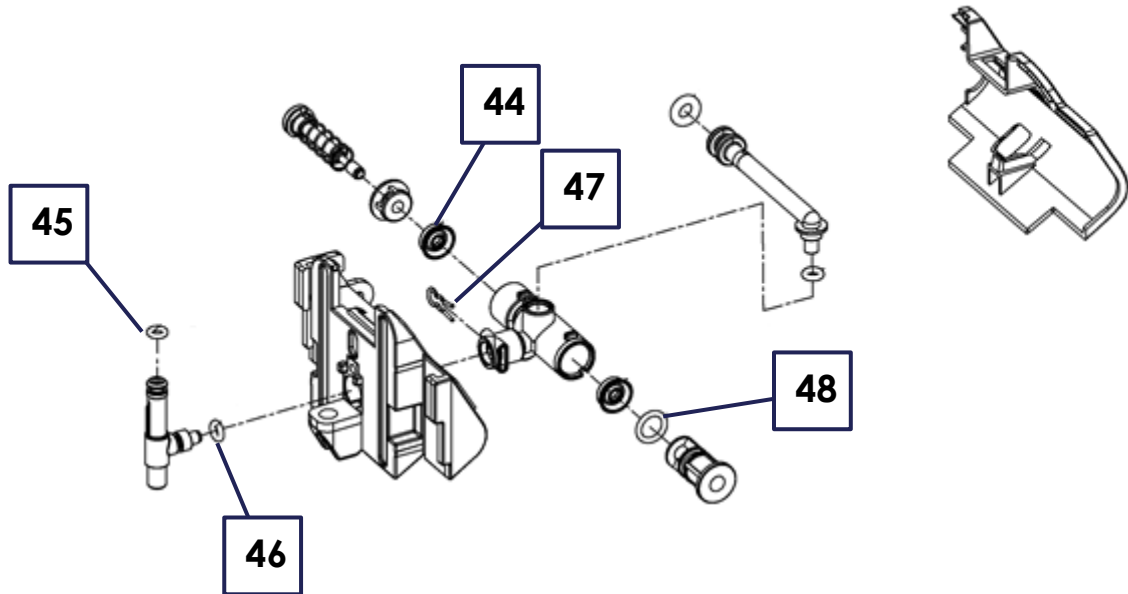


35	153365	SPENT COFFEE GROUNDS CONTAINER	1 EA
36	153366	SUPPORT	1 EA
37	153367	DRIP TRAY GRILL	1 EA
38	153368	DRIP TRAY	1 EA
39	153369	O-RING	1 EA

BREW MECHANISM

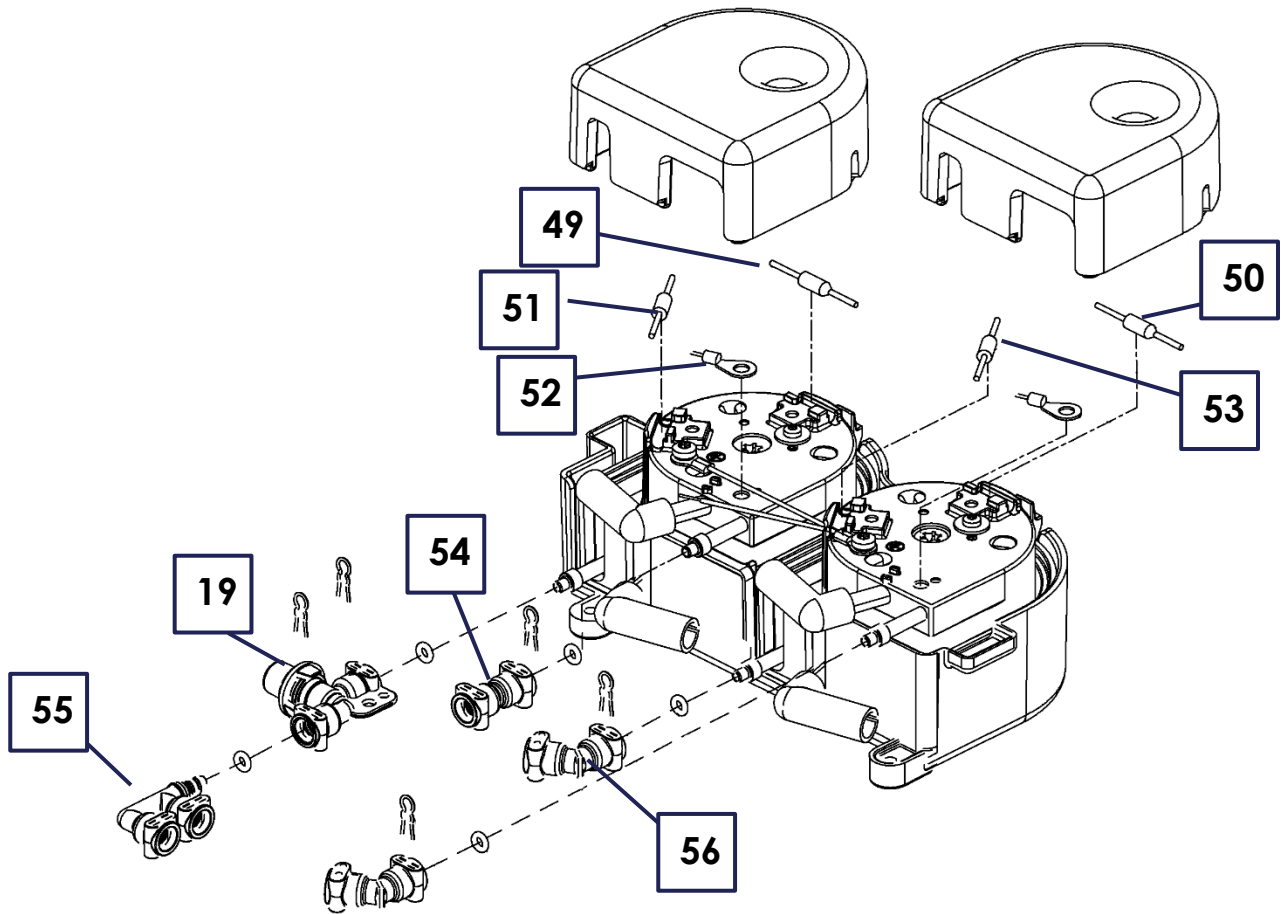


40	152879	O-RING, 8.5 X 1.8	1 EA
41	152881	O-RING 37.69 X 3.53	1 EA
42	153370	COFFEE FILTER	1 EA
43	153371	PRESSURE RELIEF VALVE	1 EA

BREWER PRESSURE RELIEF VALVE PN 153371

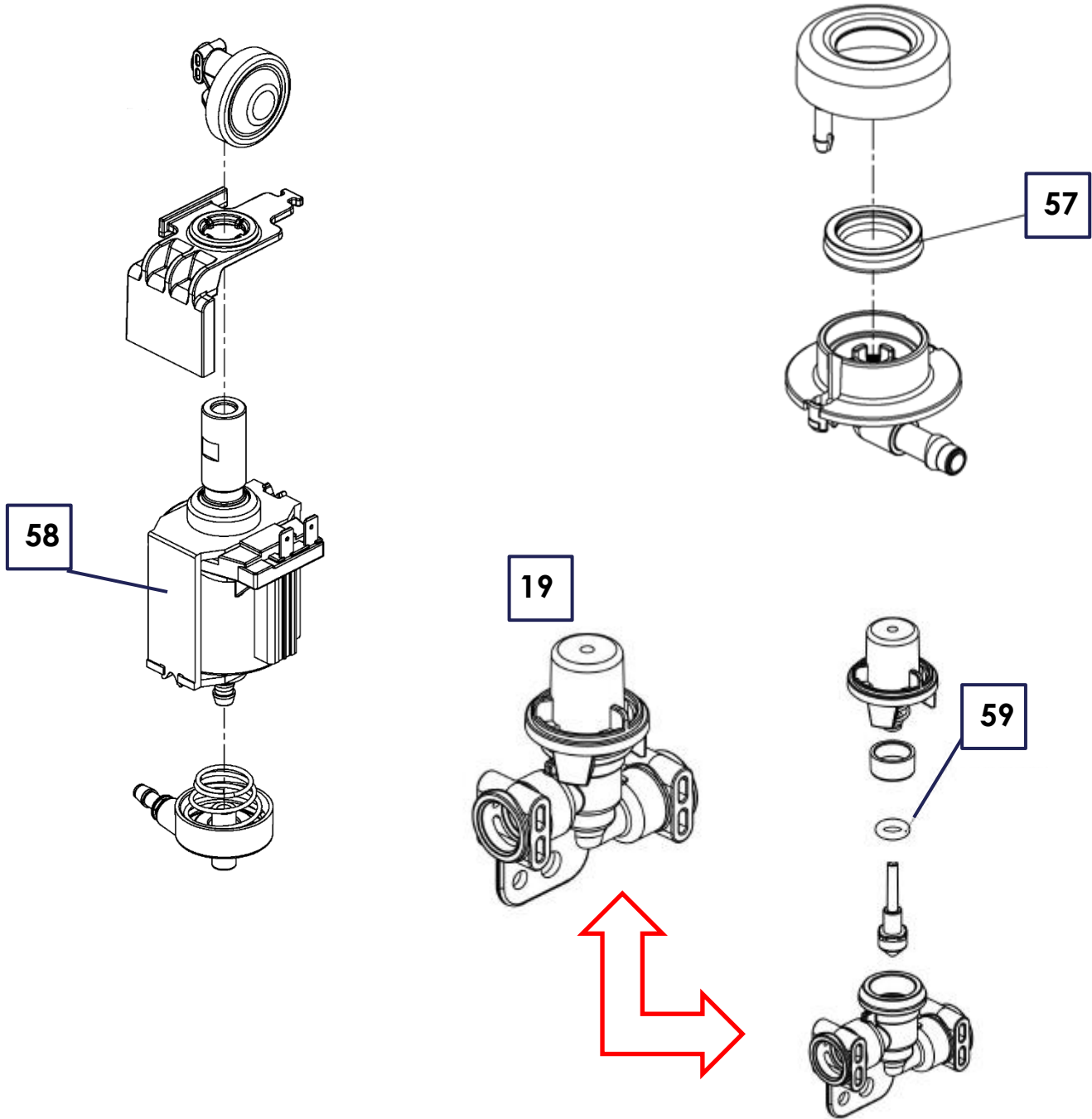
44	152877	Y-RING, 12.20 X 3.65	1 EA
45	153372	O-RING	1 EA
46	152878	O-RING, 3.3 X 2.0	1 EA
47	152875	SPRING CLIP	1 EA
48	153373	O-RING	1 EA

THERMOBLOCK



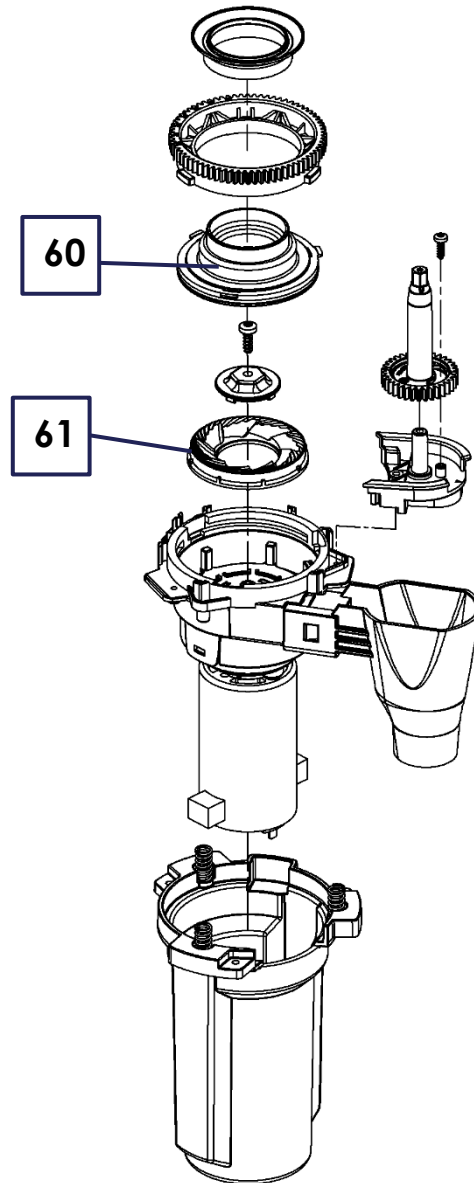
49	153374	COFFEE FUSED CORD-L	1 EA
50	153377	STEAM FUSED CORD-L	1 EA
51	153375	COFFEE FUSED CORD-N	1 EA
52	153376	TEMPERATURE SENSOR	1 EA
53	153378	STEAM FUSED CORD-N	1 EA
54	153337	STRAIGHT CONNECTOR	1 EA
55	153338	F-TYPE CONNECTOR	1 EA
56	153379	2 WAY 120 DEGREE FITTING	1 EA

MEMBRANE CONTROLLER GROUP PN 153380



19	152892	DISPENSE VALVE	1 EA
57	153381	Y O-RING	1 EA
58	152896	PUMP	1 EA
59	152880	O-RING, 4 X 1.8	1 EA

BURR GRINDER



60	152887	UPPER GRINDER BURR ASSEMBLY	1 EA
61	152876	GRINDER BURR	1 EA

ADDITIONAL

152819	TUBE WITH GASKET	1 EA
520421	HOSE ASSEMBLY, 60", 1/4 FLARE ENDS	1 EA
520422	HOSE ASSEMBLY, 60", 1/4F X 1/4 STEM	1 EA
152886	MILK PIPE	1 EA
153342	DRAIN HOSE WITH CONNECTOR	1 EA
153385	SILICONE TUBE	1 EA
153386	SILICONE TUBE	1 EA
153387	TEFLON TUBE	1 EA
153388	TEFLON TUBE	1 EA
153364	STEAM NOZZLE	1 EA
153382	GRINDER KEY	1 EA
153384	FILTER	1 EA
152817	MILK CONTAINER	1 EA
111775	INLET ASSEMBLY	1 EA
153345	FAN WIRE	1 EA