

STACKABLE TEA

DISPENSERS

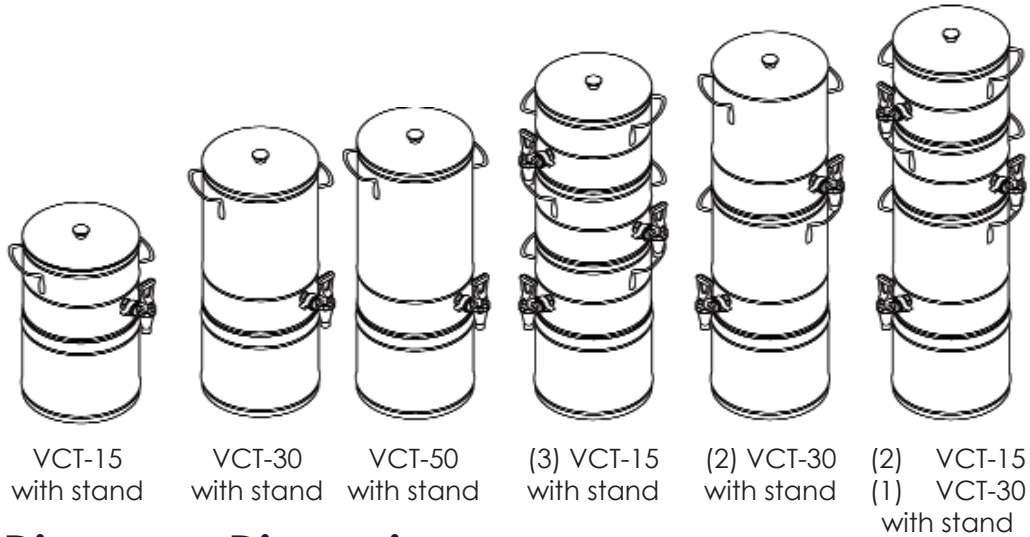


**Dispensers are shown with optional stand accessory. Products or accessories shown that are not a part of the NSF listed dispenser, have not been evaluated by NSF.*

Stack different sizes on top of each other creating a TEA TOWER. Useful when serving different flavors.

Increase your profitability by adding flavored or variety teas to your menu with Newco's stackable tea urns, the only tea dispenser that respects your counter top space. Each tea dispenser comes standard with a brew through lid that doubles as a stand for another dispenser. The stackable tea dispensers can easily be turned left or right for easy dispensing from the faucet.

Stackable Tea Dispensers



VCT Tea Dispenser Dimensions

Part Number	Model	Description	Physical Dimensions
800260	VCT-15	1.5 Gal Tea Dispenser	10.5"W x 8.172"H
800261	VCT-30	3.0 Gal Tea Dispenser	10.5"W x 11.647"H
800262	VCT-50	5.0 Gal Tea Dispenser	10.5"W x 16.172"H
800263		Tea Dispenser Stand - 7.5"	10.75"W x 7.50"H
800270		Tea Dispenser Stand - 9"	10.75"W x 9.00"H

Accessories

Part Number	Description
800101	Tea Dispenser Label <i>*not shown</i>
800103	Plastic Tea Lid Assembly - Black

Labels

Part Number	Description	
800401	Tea Fields	Label VCT-15
800402	Tea Fields	Label VCT-30
800403	Tea Fields	Label VCT-50

Personalize your Equipment

Newco also offers custom branding. Personalize your equipment with our templates, our design team, or we can print your design.

