

# STACKABLE TEA

DISPENSERS



1.5 Gal

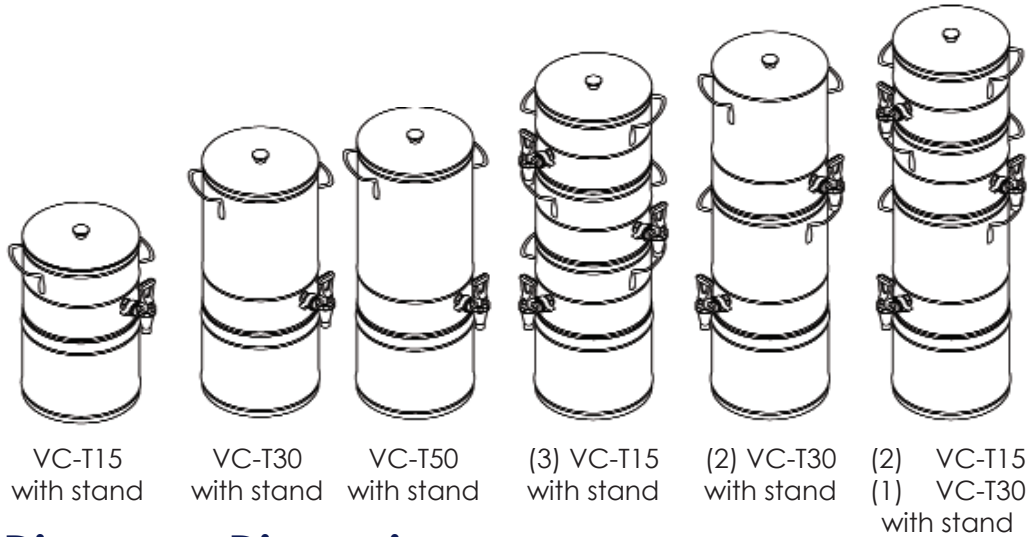
3 Gal

5 Gal

Stack different sizes on top of each other and create a TEA TOWER. Useful when serving different flavors.

Increase your profitability by adding flavored or variety teas to your menu with Newco's stackable tea urns, the only tea dispenser that respects your counter top space. Each tea dispenser comes standard with a brew through lid that doubles as a stand for another dispenser. The stackable tea dispensers can easily be turned left or right for easy dispensing from the faucet.

# Stackable Tea Dispensers



## VCT Tea Dispenser Dimensions

| Part Number | Description                 | Physical Dimensions |
|-------------|-----------------------------|---------------------|
| 800260      | VCT-1.5 Gal Tea Dispenser   | 10.5"W x 8.172"H    |
| 800261      | VCT-3.0 Tea Dispenser       | 10.5"W x 11.647"H   |
| 800262      | VCT-5.0 Tea Dispenser       | 10.5"W x 16.172"H   |
| 800263      | Tea Dispenser Stand - Short | 10.75"W x 7.50"H    |
| 800270      | Tea Dispenser Stand - Short | 10.75"W x 9.00"H    |

## Accessories

| Part Number | Description                           |
|-------------|---------------------------------------|
| 800101      | Tea Dispenser Label <i>*not shown</i> |
| 800103      | Plastic Tea Lid Assembly - Black      |

## Labels

| Part Number | Description |              |
|-------------|-------------|--------------|
| 800401      | Tea Fields  | Label VCT-15 |
| 800402      | Tea Fields  | Label VCT-30 |
| 800403      | Tea Fields  | Label VCT-50 |

## Personalize your Equipment

Newco also offers custom branding. Personalize your equipment with our templates, our design team, or we can print your design.