

# RTB-TVT

WITH OPTIONAL DROP-DOWN TRAY FOR COFFEE



Make brewing tea perfect with Newco's advanced TVT technology and its unique basket that directs dilution. There's even an optional tray that lets you easily switch between making coffee in a 2.5 Liter airpot or a tall thermal carafe. You get precise control over brewing thanks to digital settings for water temperature, how much water is used, and how long the water is in contact with the tea leaves.

There are three customizable buttons that let you set and save your brewing recipes, adjusting temperature, amount of water, and brewing time for different kinds of tea. For example, you can set one button for brewing 1.5 gallons of green tea at 180 degrees, another for 1.5 gallons of black tea at 205 degrees, and a third for brewing 3 gallons of black tea at the same temperature.

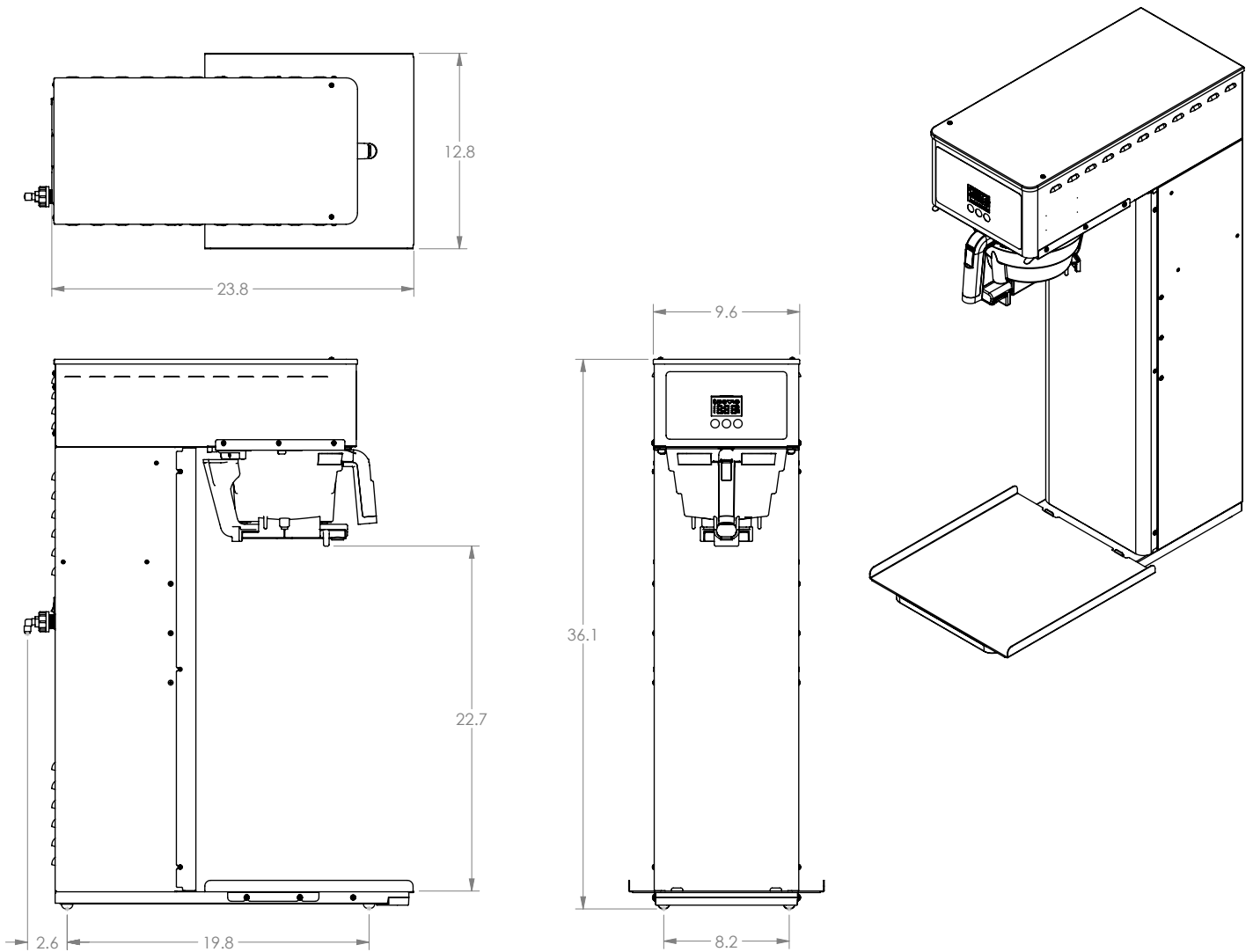
The smart basket design captures and mixes dilution water at the back, blending it with the tea concentrate as it leaves the basket. This clever feature means you don't need separate dilution outputs or to worry about choosing recipes based on the brewer's side, reducing the chance of making mistakes. Just rotate the basket to align with your dispenser and pick your recipe.

Setting up is straightforward, ensuring you can start brewing without hassle. The precision spray head evenly distributes water across all the tea leaves, ensuring every cup is perfectly extracted. Newco offers customized designs for both the brewer and dispensers, so you can have them match your brand.

Proudly manufactured in Saint Charles, MO, Newco's brewers bring professional-grade tea brewing into any setting.



# Dimensions



# Additional Information

Part Number	Model Name	Height	Width	Depth	Volts	Watts	Amps	Ship Weight
784858	GXF-8DVT	36.1"	12.8"	23.8"	120 V	1750W	15A	-- LBS

**Electrical:** 120V models are 2 wires plus ground service rated 120V, single phase, 60Hz. 120/240 V models are 3 wires plus ground service rated 120/240 V, single phase, 60Hz

**Plumbing:** Water line should be 20-90 PSI and have a minimum flow rate of 1.5 GPM. Mechanical connection on brewer is 1/4" male flare connector.